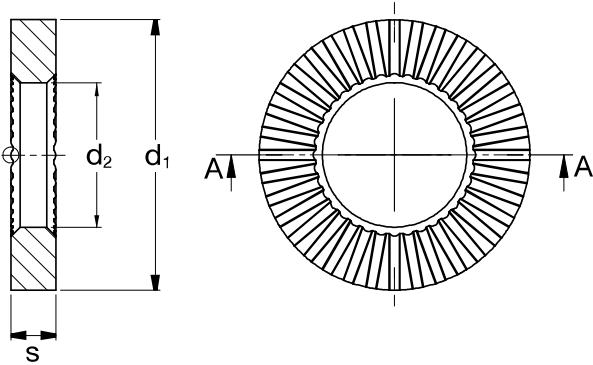


B 53065
RIPP LOCK® self-locking washers

With standard external diameter | ribbed on both sides

Steel | zinc flake coating | Cr(VI)-free



Diameter (d)	b		d ₁		d ₂		s		
	max.	min.	max.	min.	max.	nominal size	min.	max.	
4	5.0	8.60	9	4.3	4.50	2.0	2.0	2.1	
5	6.0	9.60	10	5.3	5.50	2.0	2.0	2.1	
6	8.0	11.57	12	6.4	6.62	2.0	2.0	2.2	
8	10.0	15.57	16	8.4	8.62	2.5	2.5	2.7	
10	12.1	19.48	20	10.5	10.77	2.5	2.5	2.7	
12	14.1	23.48	24	12.5	12.77	3.0	3.0	3.3	
14	16.1	27.48	28	14.5	14.77	3.0	3.0	3.3	
16	18.1	29.48	30	16.5	16.77	4.0	4.0	4.3	
20	22.1	36.38	37	20.5	20.83	4.0	4.0	4.3	
24	26.1	43.38	44	24.5	24.83	5.0	5.0	5.3	
27	29.1	49.38	50	27.5	28.02	5.0	5.0	5.3	
30	32.1	55.26	56	30.5	31.02	6.0	6.0	6.3	

All technical data refer to the measure mm

